

DISTRIBUTION ASSEMBLIES

REFERENCE STANDARDS

BEHAVIOUR WITH CHEMICAL AND ATMOSPHERIC AGENTS

1
2
3
ASSEMBLIES



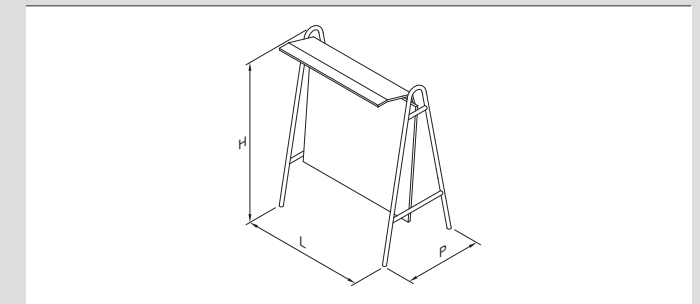
EN 60439-1
Low-voltage switchgear and control-gear assemblies (BT panels).
Part 1: requirements for type-tested and partially type-tested assemblies.

EN 60439-4
Low-voltage switchgear and control-gear assemblies (BT panels).
Part 4: particular requirements for assemblies for construction sites.

Saline solution	Acids		Bases		Solvents				Mineral oil	UV rays
	Concentrated	Diluted	Concentrated	Diluted	Hexane	Benzol	Acetone	Alcohol		
Resistant	Not Resistant	Not Resistant	Limited Resistance	Resistant	Not Resistant	Not Resistant	Not Resistant	Limited Resistance	Resistant	Resistant

DIMENSIONS

TYPE	L	P	H
A	1050	760	1500
B	1190	872	1600
C	1810	872	1600



VERSIONS



Distribution assemblies IP55
- transportable
- with SELV safety transformer 220/24V

TECHNICAL CHARACTERISTICS

Rated current:	125A÷630A
Rated voltage:	400V~
Frequency:	50Hz
Insulating voltage:	400V~
Protection degree:	IP55
SELV transformer 220/24V:	Yes
Operating temperature according to the reference standard:	-25°C +40°C
Max operating temperature:	60°C
Glow Wire test:	650°C
Power output:	70KW÷375KW
Material:	Engineering plastic
Colour:	Grey RAL 9007

- Sturdy galvanized fire painted sheet iron.
- Fitted with a lifting device, handles on the side and a roof to protect it from rain or falling objects.
- The structure can be fastened to the ground (purposely fitted feet).
- Appropriate hooks are fitted at the back to carry the cables.

DISTRIBUTION ASSEMBLIES

1

2

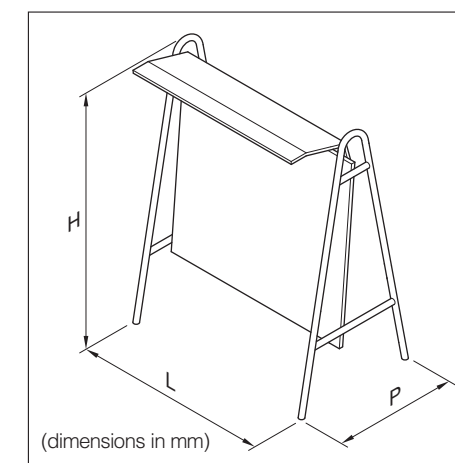
3

ASSEMBLIES



		OUTPUT UNIT										POWER SUPPLY					
		INTERLOCKED SWITCH SOCKETS OUTLET					TERMINAL BLOCK										
N° Sockets											380V 4P	Padlockable main switch (4P)					
	16A	32A	63A	125A	400A	16A	20A	32A	63A	100A			160A	400A			
4												2 ⁽¹⁾	1 ⁽¹⁾	1 ⁽¹⁾	SW. DISC. 630A		
					1		3								SW. DISC. 250A		
7														2	4 ^[3]	1(125A) ^[7]	MCB 250A
		2	2		2		1							1 (10A-2P) 1			SW. DISC. 250A
8		2	2		2		1		1 ⁽¹⁾								SW. DISC. 400A
														2 (2P) 2			SW. DISC. 400A
9		2	2		2		1								1 ⁽¹⁾	1(125A) ^[7]	MCB 250A>
		4	4												1 ^[4]		MCB 160A
11		2	2												1 ^[4]		MCB 160A
		2	2									4 (2P)		1 (40A)	1 (50A)	1 (80A)	SW. DISC. 400A
12	2	4	2		2		1		1 ⁽¹⁾								SW. DISC. 400A
14		1	1	1	1 (3P+E)									1 ^[4]	6 (40A) ^[4] 3 ^[4]		SW. DISC. 630A

		INPUT UNIT						
POWER SUPPLY		Terminal block mm ²	Power MAX (▲) (Kw)	Short-circuit current (Icw) (KA)	Short-circuit current (Icc) (KA)	Emergency push button	Stand type	Weight Kg
		4 x 160	230	20			C	210
		4 x 100	130	8,5			A	120
		4 x 160	150		15	x	C	170
		4 x 100	110	8,5			A	110
		4 x 160	200	20			C	150
		4 x 160	200	20			C	200
		4 x 100	150		10		C	20
		4 x 100	90		10	x	C	150
		4 x 100	90		10		B	130
		4 x 160	200	20			C	220
		4 x 250	300	20			C	200



Stand Dimension

Type	L	P	H
A	1050	760	1500
B	1190	872	1600
C	1810	872	1600

Note

This is just a small selection of our full range. Please contact your SCAME dealer for specific versions.

ScameOnLine

Discover the new application directly on the web, www.scame.com/Combifinder.asp



You will quickly find an assemblies already assembled, certified and ready to use.

Distribution ACS

- Outputs protected individually or in groups by magnetothermal switch and by differential switch 0.03A (a note in the legend indicates a different operating current).
- 24V sockets protected with magnetothermal switch or fuses suited to the transformer power.

- Power supply: 3P+N+E 400V 50Hz.
- Main terminal block for "In-Out" connection.

- [1] Protection made by fuse
- [2] RCD 0,5A
- [3] RCD 0,3A sel.
- [4] RCD 0,3A
- [5] RCD 1A sel.
- [6] RCD 0,5A sel.

- (▲) Differential switch for terminal block protection not in continuous service.
- (●) Maximum power with a 0.5-0.7 simultaneity factor.
- SW. DISC.= Switch-disconnector.
- MCB = Miniature circuit breaker.

